

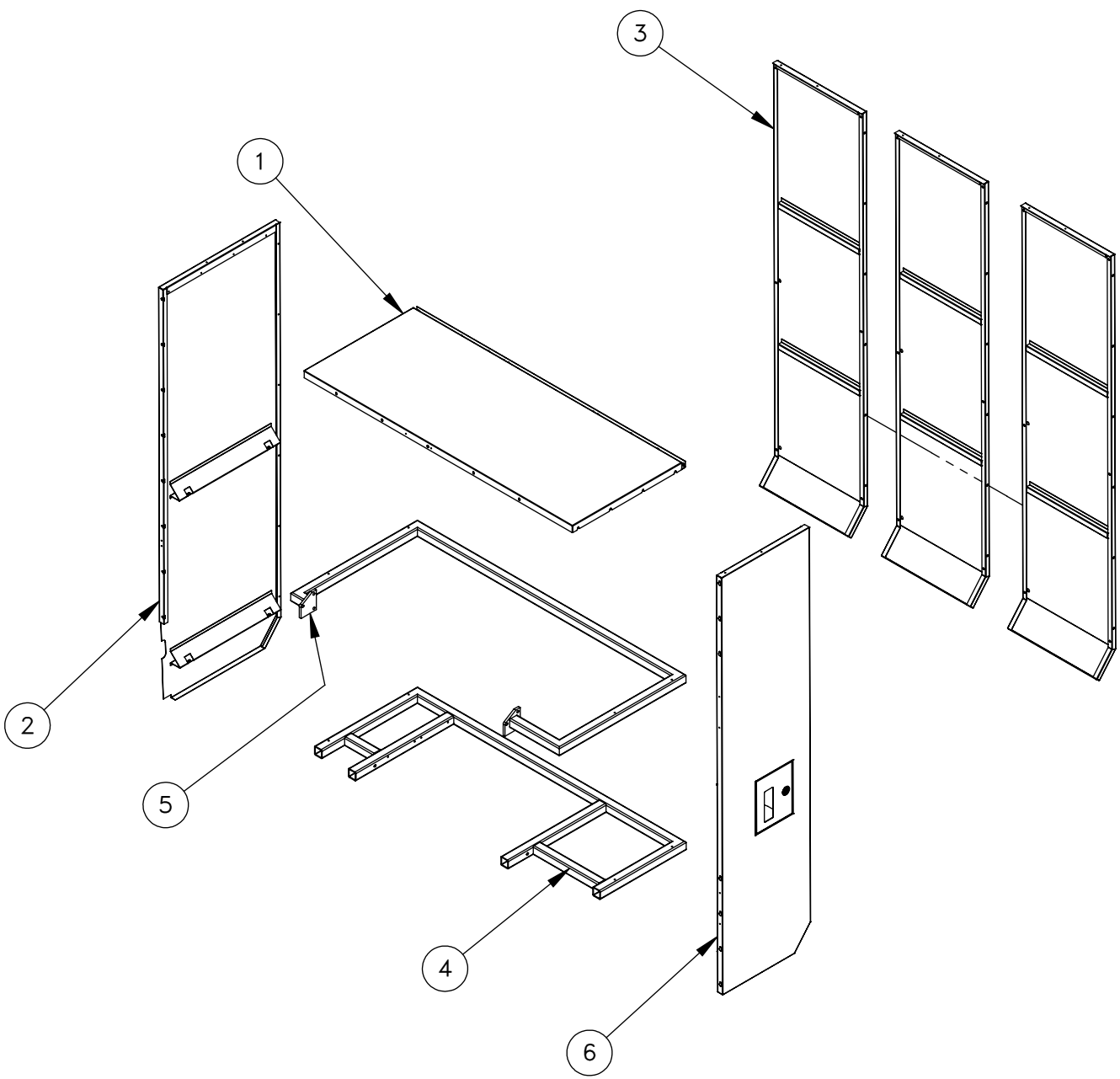
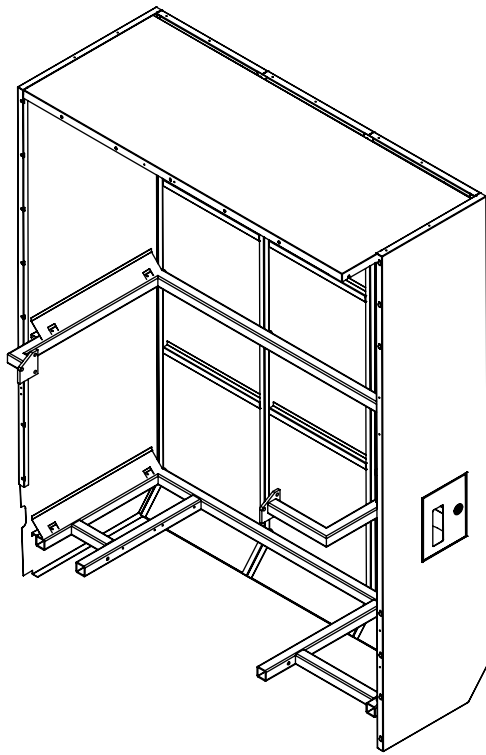
ITEM NO.	DESCRIPTION	QTY	SEE SHEET
1	DOOR ASSEMBLY & FRONT PANELS	1	3
2	REAR PANELS	1	2
3	RIGHT PANELS	1	5
4	LEFT PANELS	1	4
5	TOP PANELS	1	6
6	INNER PANELS	1	6

SHEET 1 OF 6

DESCRIPTION
UMC-750 ENCLOSURE ASSEMBLY

EFFECTIVE DATE
 APRIL-2012

SAP DOC NO./VER: 1000028693/01



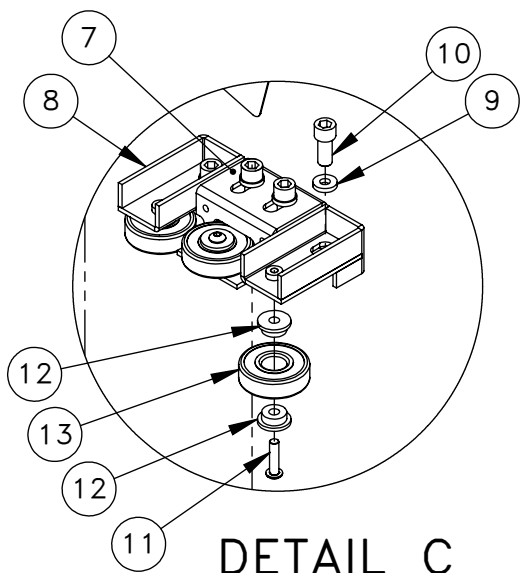
REAR PANELS

ITEM NO.	DESCRIPTION	QTY.
1	UMC-750 TOP PANEL REAR ENCLOSURE	1
2	UMC-750 SIDE PANEL LEFT REAR ENC	1
3	UMC-750 BACK PANEL ENCLOSURE	3
4	UMC-750 ENCLOSURE SUPPORT REAR LOWER	1
5	UMC-750 ENCLOSURE SUPPORT REAR UPPER	1
6	SIDE PANEL, RIGHT REAR ENC, UMC-750	1

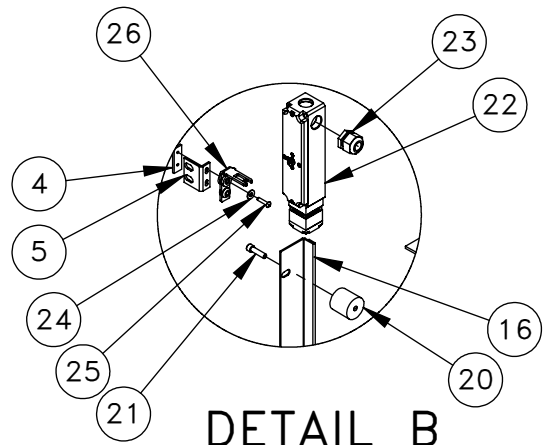
SHEET 2 OF 6

DESCRIPTION
UMC-750 ENCLOSURE ASSEMBLY

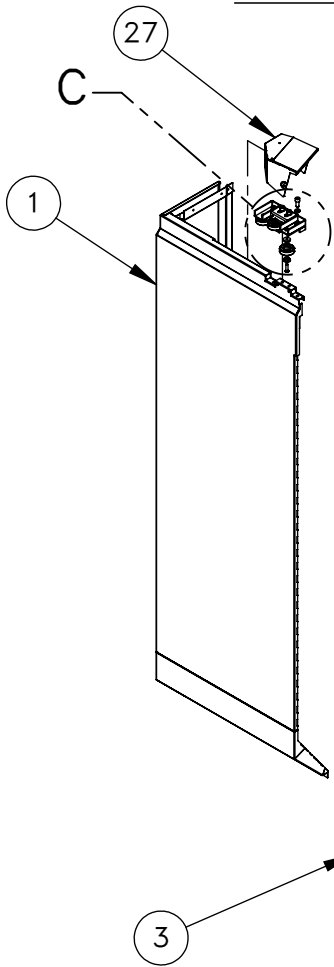
EFFECTIVE DATE
 APRIL-2012
 SAP DOC NO./VER: 1000028693/01



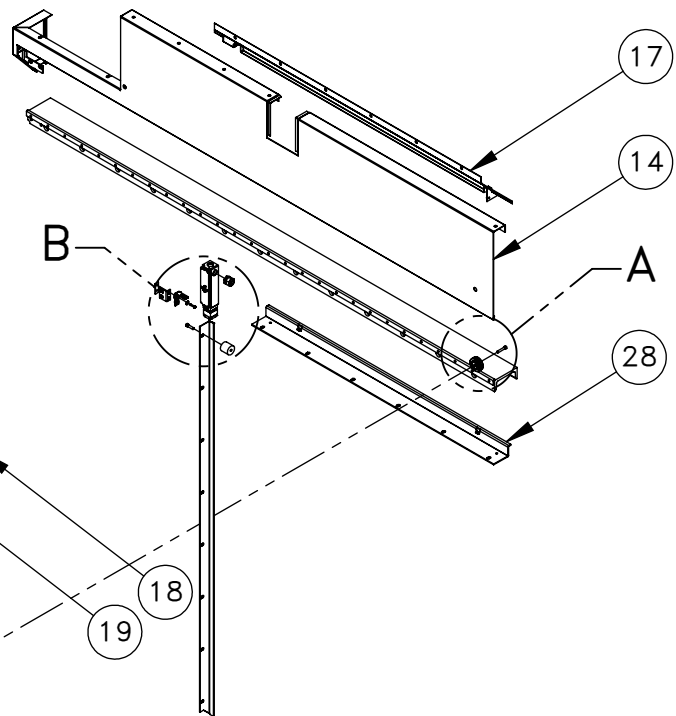
DETAIL C
SCALE 1 : 5



DETAIL B
SCALE 1 : 10

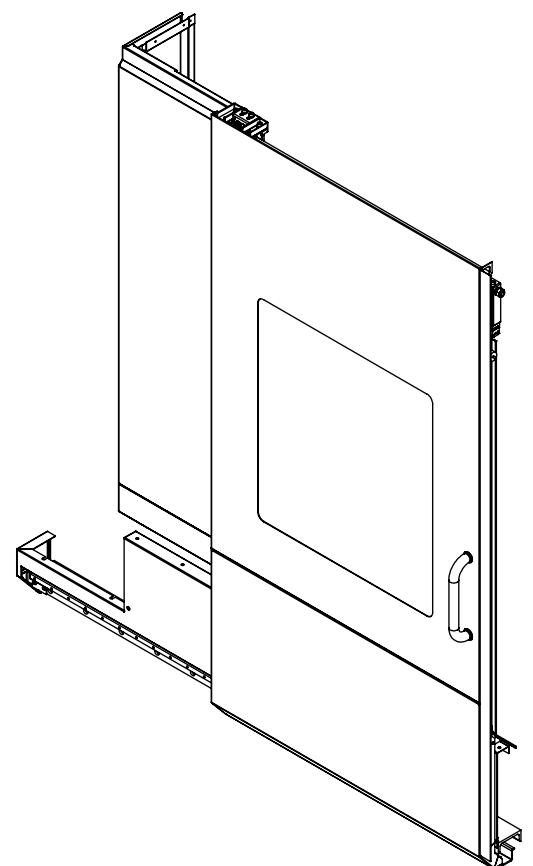


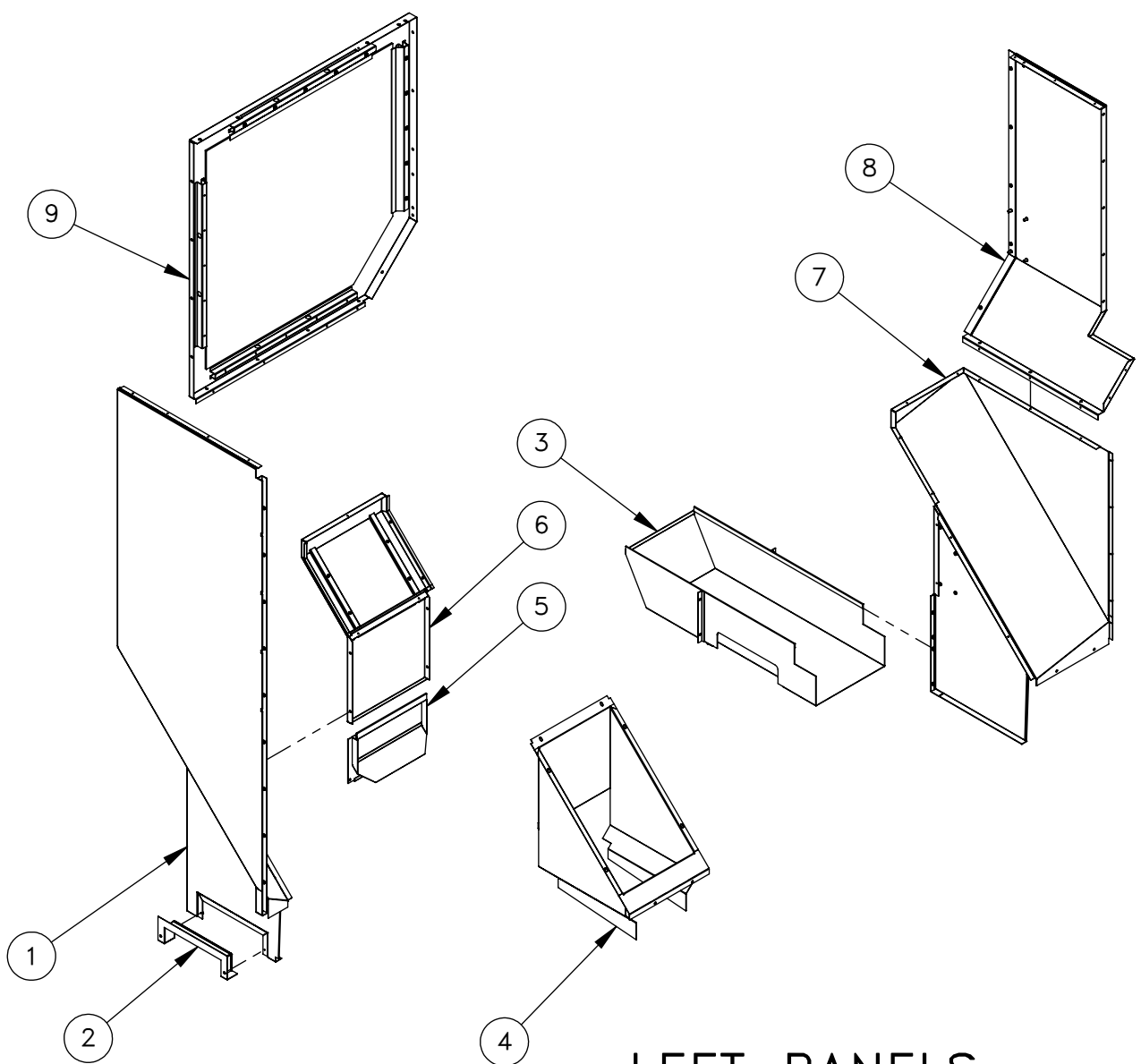
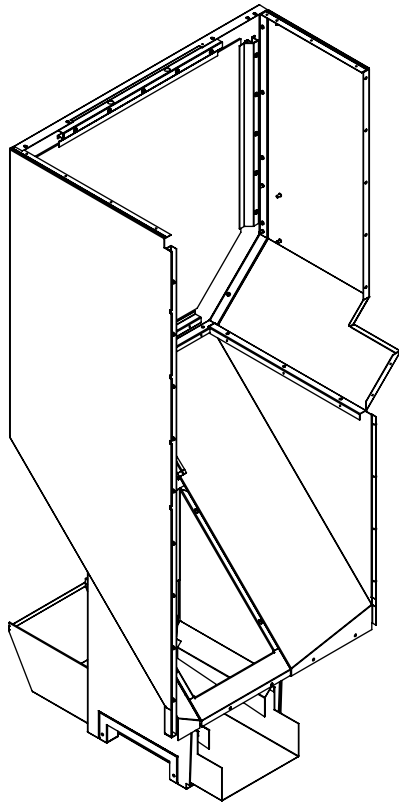
DETAIL A
SCALE 1 : 10



DOOR AND FRONT PANELS

ITEM NO.	PART DESCRIPTION	QTY.
1	UMC-750 FRONT PANEL	1
2	BEARING #3 V SINGLE ROW SEALED	2
3	DOOR, UMC-750	1
4	UMC-750 INTERLOCK NUT PLATE	1
5	UMC-750 INTERLOCK BRACKET	1
6	SHCS 1/4-20 X 1 1/4	2
7	UMC-750 UPPER DOOR RETAINER, SECONDARY	1
8	UMC-750 UPPER DOOR RETAINER, PRIMARY	1
9	WASHER 1/4 HARD 1/4ID X 5/8OD X 1/8 THK	6
10	SHCS 3/8-16 X 7/8	4
11	BHCS 1/4-20 X 1	3
12	TOP DOOR SPACER	6
13	R BRG RAD BALL M17-47-14 DEEP GRV SEALED	3
14	UMC-750 LOWER FRONT PANEL	1
15	UMC-750 LOWER DOOR RAIL MOUNTING RAIL	1
16	UMC-750 CHIP DEFLECTOR	1
17	UMC-750 DOOR CHIP GUARD	1
18	SHCS 5/16-18 X 1 DOMESTIC ONLY	2
19	HANDLE DOOR CHROME	1
20	BUMPER DOOR	1
21	SHCS 1/4-20 X 1 DOMESTIC ONLY	1
22	CE INTERLOCK SWITCH W/SPACER A	1
23	STRN RLIEF 0.17-0.35" ID M20 THRD BLK	1
24	WASHER #10 FLAT SAE PLT	1
25	BHCS 8-32 X 3/4	1
26	CE INTERLOCK 90DEG KEY EUC NOT FOR SALE	1
27	LED LAMP MOUNT ST10/UMC	1
28	LOWER DOOR RETAINER, UMC-750	1





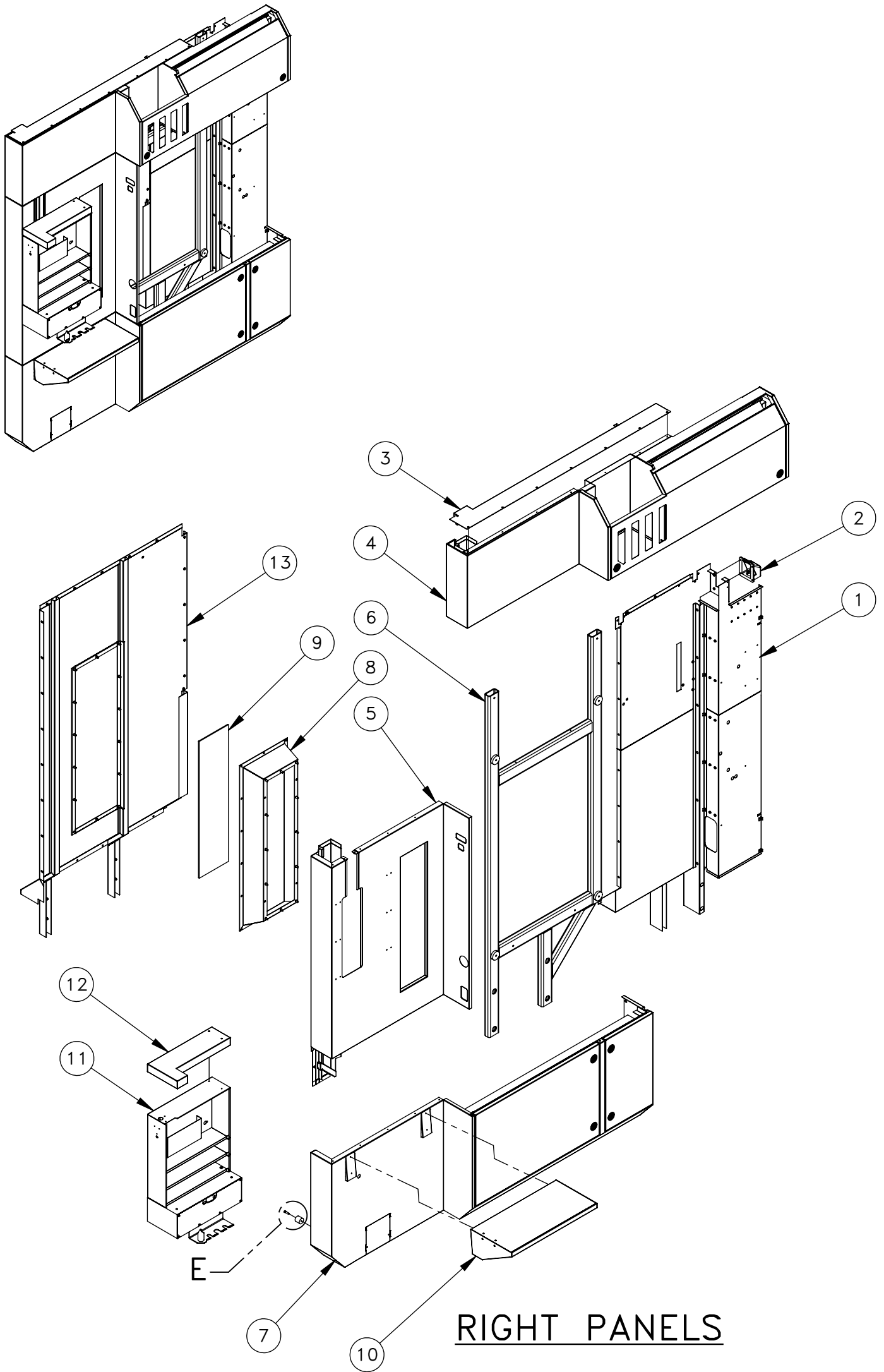
LEFT PANELS

ITEM NO.	DESCRIPTION	QTY.
1	UMC-750 FRONT TOOL CHANGER PANEL	1
2	UMC-750 DISCHARGE PLENUM	1
3	UMC-750 CONVEYOR EXTENSION	1
4	UMC-750 UNDER T/C CHIP LINER	1
5	UMC-750 CONVEYOR CLEAN OUT PANEL	1
6	UMC-750 FRONT TOOL CHANGER PAN	1
7	UMC-750 REAR TOOL CHANGER PAN	1
8	UMC-750 TOOL CHANGER REAR PANEL	1
9	UMC-750 TOOL CHANGER SIDE PANEL	1

SHEET 4 OF 6

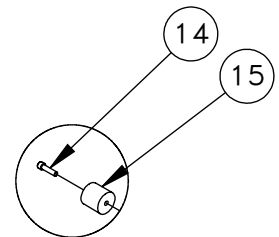
DESCRIPTION
UMC-750 ENCLOSURE ASSEMBLY

EFFECTIVE DATE
APRIL-2012
SAP DOC NO./VER: 1000028693/01

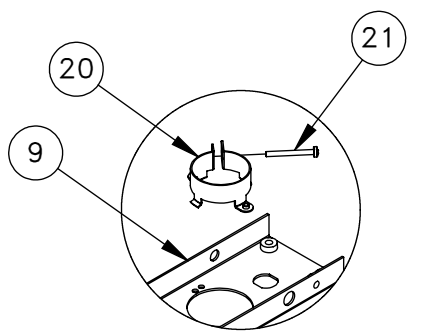


RIGHT PANELS

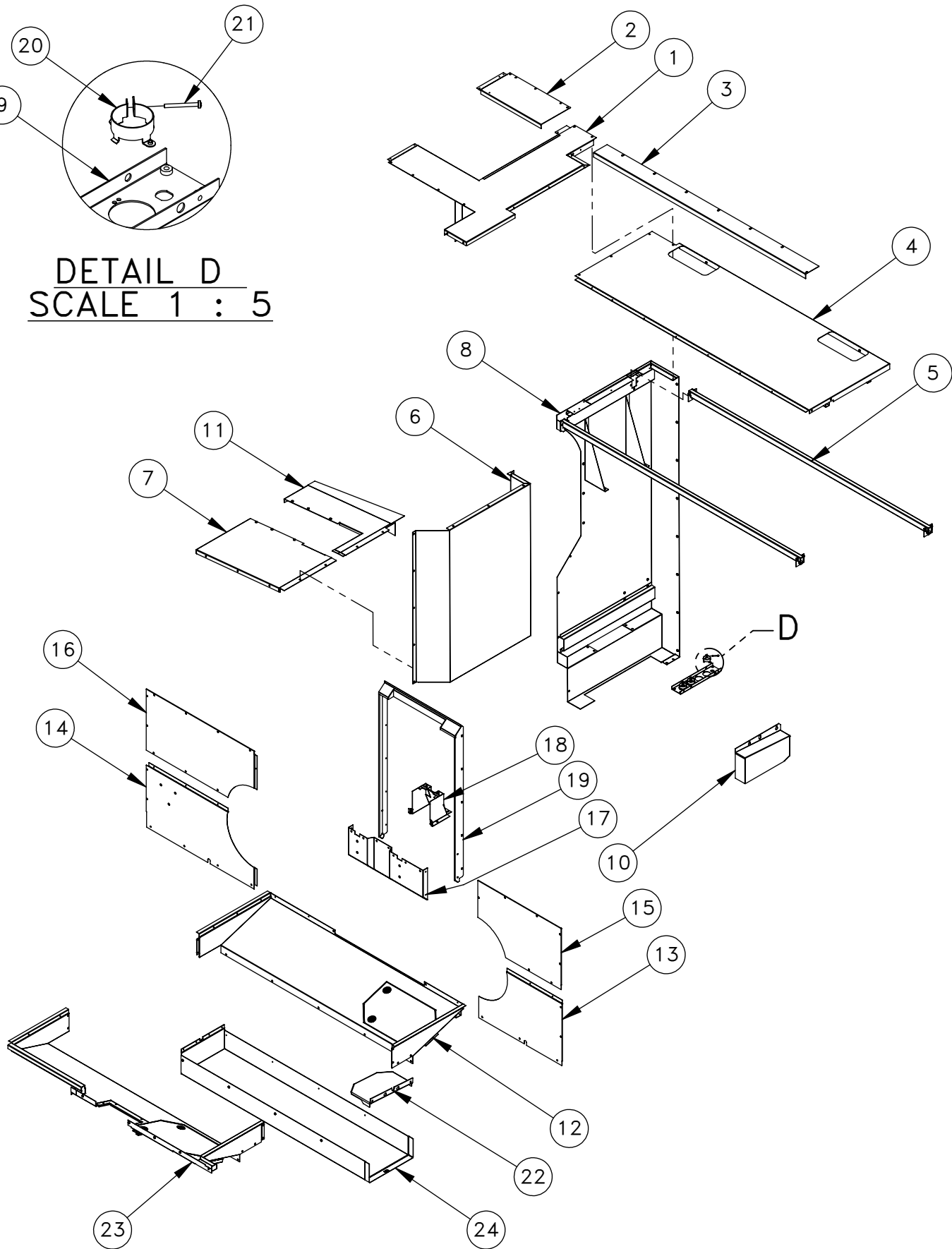
ITEM NO.	DESCRIPTION	QTY.
1	UMC-750 CONTROL REAR PANEL	1
2	CONDUIT BULKHEAD 90 DEGREE, 48MM	1
3	UMC-750 FRONT ENCLOSURE TOP	1
4	UMC-750 CONTROL TOP	1
5	UMC-750 CONTROL SIDE	1
6	SUPPORT CONTROL	1
7	UMC-750 LOWER APRON	1
8	UMC-750 SIDE WINDOW HOUSING	1
9	UMC-750 SIDE WINDOW	1
10	FRONT WRITING TABLE SS	1
11	CABINET GLOVE BOX ASSY 0 DEG UMC	1
12	UMC-750 MEDICINE BOX CAP	1
13	UMC-750 CONTROL INTERNAL PANEL	1
14	SHCS 1/4-20 X 1 DOMESTIC ONLY	1
15	BUMPER DOOR	1



DETAIL E
SCALE 1 : 10



DETAIL D
SCALE 1 : 5



TOP AND INNER PANELS

ITEM NO.	DESCRIPTION	QTY.
1	UMC-750 TOOL CHANGER TOP	1
2	UMC-750 SMALL TOOL CHANGER ROOF PANEL	1
3	UMC-750 UPPER X-AXIS GUARD	1
4	UMC-750 TOP PANEL FRONT ENCLOSURE	1
5	UMC-750 X-AXIS COVER GUIDE BAR	2
6	UMC-750 CAM BOX COVER	1
7	UMC-750 TOOL CHANGER CHIP SHIELD FORWARD	1
8	UMC-750 TOOL REAR BRIDGE PANEL	1
9	BRKT CLNT PMP CONN 25/BOX	1
10	UMC-750 B-AXIS BELT COVER	1
11	UMC-750 TOOL CHANGER CHIP SHIELD, REAR	1
12	UMC-750 FLOOR PAN, REAR	1
13	UMC-750 ROTARY SHEILD QUAD. 3	1
14	UMC-750 ROTARY SHEILD QUAD. 4	1
15	UMC-750 ROTARY SHEILD QUAD. 2	1
16	UMC-750 ROTARY SHEILD QUAD. 1	1
17	UMC-750 X-AXIS LINEAR GUIDE SHIELD	1
18	UMC-750 Z-AXIS BELLOWS MNT BRKT	1
19	UMC-750 SHROUD, UPPER	1
20	CLAMP 1.5" DIA CONNECTOR	3
21	PPHS 6-32 X 1 1/4	3
22	UMC-750 CONVEYOR PANEL	1
23	UMC-750 FLOOR PAN, FRONT	1
24	UMC-750 CONVEYOR TROUGH	1

