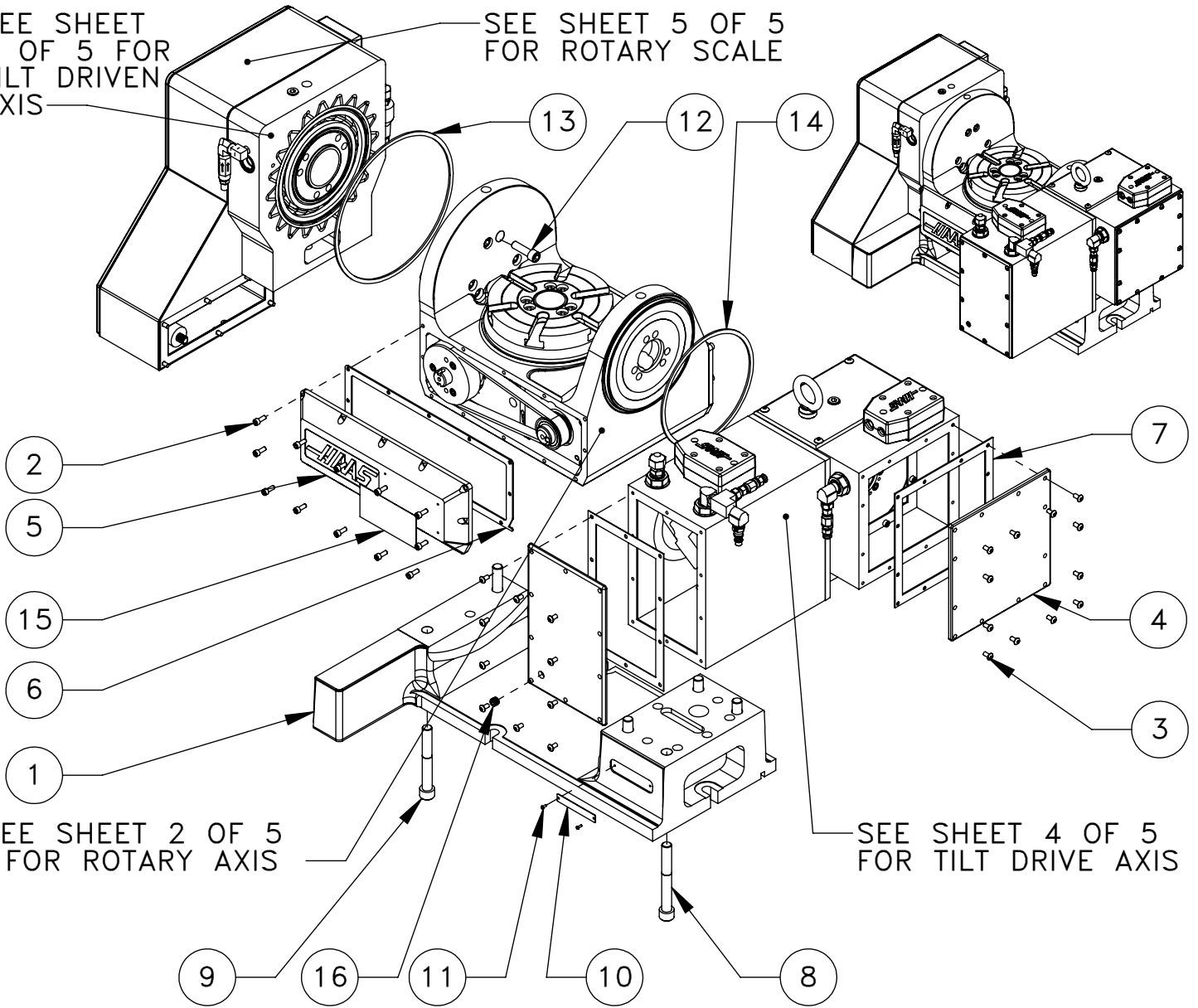


SEE SHEET  
3 OF 5 FOR  
TILT DRIVEN  
AXIS

SEE SHEET 5 OF 5  
FOR ROTARY SCALE



SEE SHEET 2 OF 5  
FOR ROTARY AXIS

SEE SHEET 4 OF 5  
FOR TILT DRIVE AXIS

ITEM	DESCRIPTION	QTY.
1	TRUNNION BASE MACHINING	1
2	SHCS 10-32 X 1/2	25
3	BHCS 10-32 X 3/8	41
4	BRK ENCL COVER	1
5	BELT ENCL B-AX	2
6	GASKET BELT ENCL BAX	2
7	GASKET BRK ENCL	2
8	SHCS 1/2-13 X 4	4
9	SHCS 1/2-13 X 3 3/4	2
10	NAMEPLATE	1
11	MC DR SCREW 2 X 1/4 RD HDTYPE U	2
12	SHCS 3/8-16 X 1 1/4	12
13	TEFLON SEAL	1
14	TEFLON SEAL	1
15	SAFETY PLATE, ROTARY TR	1
16	FITG 1/8 NPTF PLUG	1

DESCRIPTION

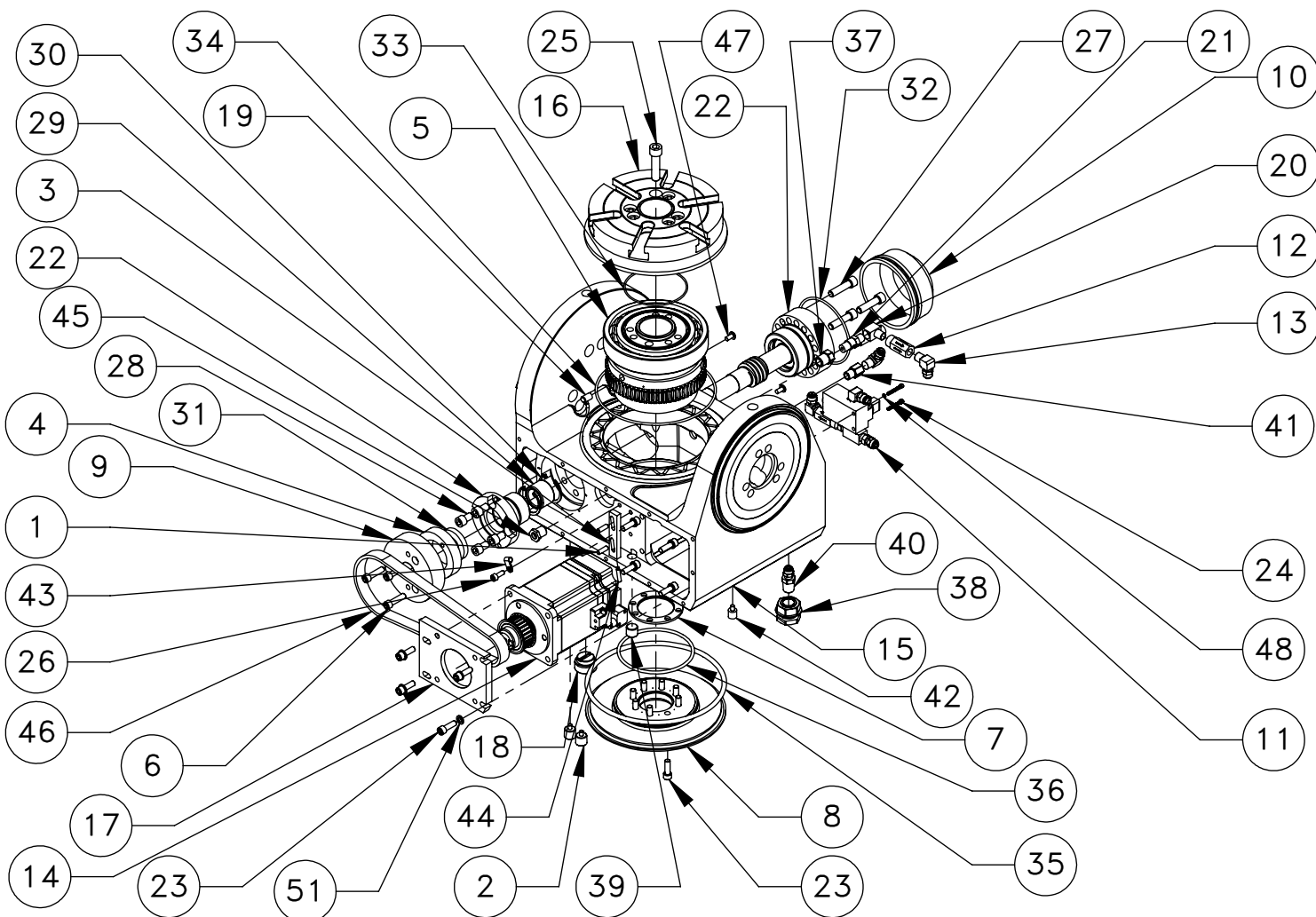
TR160Y

EFFECTIVE DATE

MAY-2009

SAP DOC NO./VER: 1000024803/01

SHEET 1 OF 5



## ROTARY AXIS

ITEM	DESCRIPTION	QTY.
1	DOWEL PIN 1/2 X 1 1/2	2
2	FITG NPT-1/4-M PLUG MAGNETIC	2
3	MOTOR ADJUSTER	1
4	LOCKRING DRIVEN PULLEY	1
5	BEARING/GEAR ASSY	1
6	SHCS 1/4-20 X 1	3
7	SPINDLE SPACER	1
8	BRAKE DISC	1
9	PULLEY	1
10	HOUSING COVER	1
11	SOLENOID ASSY	1
12	VALVE CHECK NPT-1/8-F X NPT-1/8-F	1
13	FITG POLY-1/4 X NPT-1/8-M 90	2
14	MOTOR ASSY	1
15	MACHINING TR160Y TRUNNION	1
16	PLATTER 160MM	1
17	MTR MOUNT PLATE	1
18	SIGHT GLASS	1
19	MAGNET MICROSWITCH	1
20	FITG 1/8NPT-F X 1/8NPT-M 90 BRASS	1
21	VLVE CHK NPT-1/8-M X NPT-1/8-M	1
22	WORM SHAFT ASSY	1
23	SHCS 1/4-20 X 3/4	16
24	SHCS 4-40 X 7/8	2
25	SHCS 3/8-16 X 1.5	6
26	SHCS 10-32 X 1/2 ZINC PLATED	1
27	SHCS 5/16-18 X 1 1/4	4
28	SHCS 5/16-18 X 1/2	4
29	BEARING NEEDLE ROLLER	1
30	RTNG RING	2
31	SEAL	1
32	O-RING	1
33	O-RING	1
34	O-RING	1
35	O-RING	1
36	O-RING	1
37	FTG RDCER NPT1/4 M SILVERX 1/8	1
38	FITG BKHD NPT-1/4 X SILVR	1
39	FITG NPT 1/4 M PLUG SILVR	1
40	FITG POLY-1/4 X NPT-1/4-M	1
41	FITG NPT-1/8-F X NPT-1/8-M	1
42	FITG NPT-1/8-M PLUG MAGNETIC	1
43	CABLE CLAMP 1/4	1
44	SSS 8-32 X 3/4 FULL DOG	1
45	MICRO SWITCH PLUG 8MM ADAPTER	1
46	DRIVE BELT	1
47	BHCS 10-32 X 3/8	3
48	#4 SPLIT LOCK WASHER	2
49	CCRING RED	1
50	SHCS 10-32 X 3/8 W/ FLAT WASHER	1
51	WASHER	8

SHEET 2 OF 5

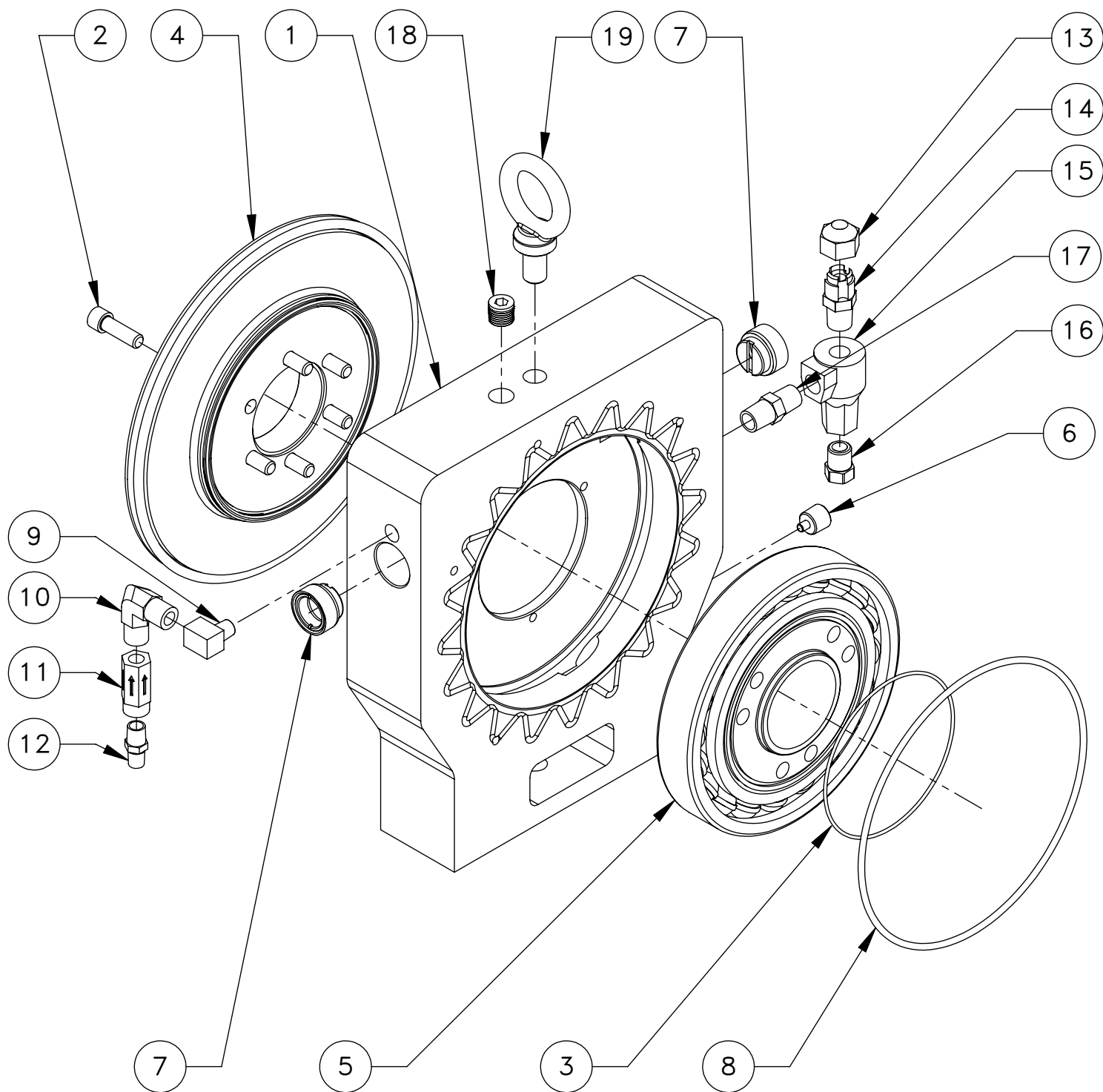
DESCRIPTION

TR160Y

EFFECTIVE DATE

MAY-2009

SAP DOC NO./VER: 1000024803/01



## TILT DRIVEN AXIS

ITEM	DESCRIPTION	QTY.
1	MACHINING SUPPORT	1
2	SHCS 5/16-18 X 1	6
3	O-RING	1
4	BRAKE DISC	1
5	BEARING DEEP GROOVE	1
6	FITG NPT-1/4-M PLUG MAGNETIC	1
7	SIGHT GLASS	2
8	O-RING	1
9	FITG 1/8NPT-F X 1/8NPT-M 90 STEEL	1
10	FTG NPT-1/8-MX SILVER	1
11	VALVE CHECK NPT-1/8-F X NPT-1/8-F	1
12	AIR MUFFLER NPT-1/8-M	1
13	3/8 TUBE-CAP	1
14	3/8 TUBE X 1/4NPT	1
15	QUICK EXHAUST 1/4 HUMPHREY	1
16	FTG RDCER NPT1/4 M SILVERX 1/8	1
17	NIPPLE 1/4 NPT HEX	1
18	FITG NPT-1/4-M PLUG	1
19	EYE BOLT	1

SHEET 3 OF 5

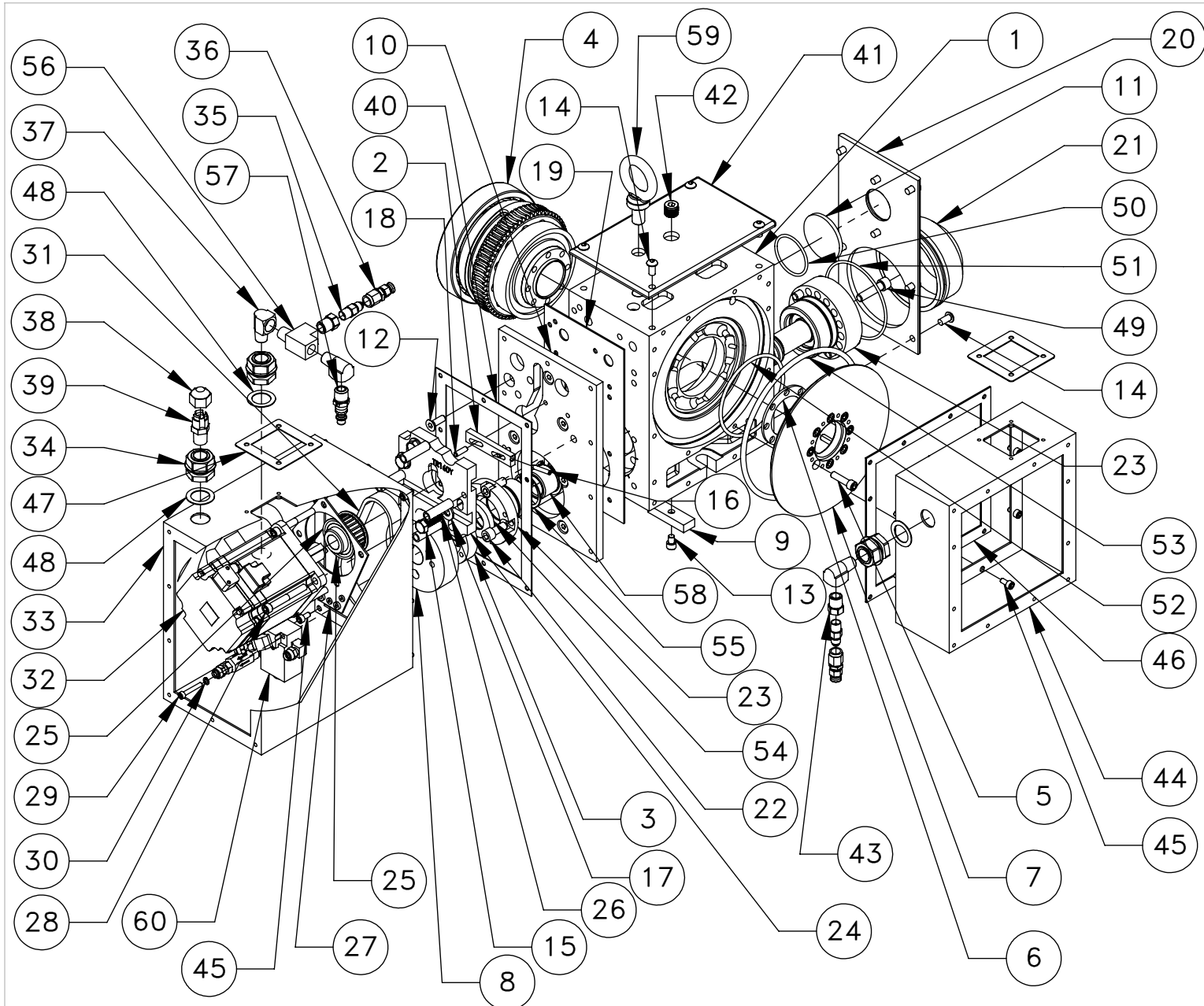
DESCRIPTION

TR160Y

EFFECTIVE DATE

MAY-2009

SAP DOC NO./VER: 1000024803/01



## DRIVE AXIS

ITEM	DESCRIPTION	QTY.
1	BODY MACHINING	1
2	MOTOR ADJUSTER	1
3	LOCKRING DRIVEN PULLEY	1
4	BEARING/GEAR ASSY	1
5	SHCS 1/4-20 X 1	8
6	SPINDLE SPACER	1
7	BRAKE DISC	1
8	PULLEY DRIVEN	1
9	ALIGNMENT KEY	1
10	SIDE PLATE	1
11	SIGHT GLASS OIL	1
12	FHCS 1/4-20 X 3/4	7
13	SHCS 1/4-20 X 5/16	1
14	BHCS 1/4-20 X 1/2	12
15	HHB 5/16-18 X 7/8	3
16	SSS 8-32 X 1 FULL DOG	1
17	WASHER 5/16 FLAT A325	3
18	DOWEL PIN 1/2 X 1 1/2	2
19	GASKET SIDE PLATE	1
20	SIDE COVER	1
21	HOUSING COVER	1
22	SHCS 5/16-18 X 3/4	4
23	WORM SHAFT ASSY	1
24	MOTOR MOUNT	1
25	PULLEY DRIVE	1
26	STANDOFF	4
27	BRACKET SOLENOID	1
28	SHCS 1/4-20 X 2	4
29	SHCS 8-32 X 1	2
30	WASHER #8 SPLT LCK	2
31	DRIVE BELT	1
32	MOTOR	1
33	MOTOR ENCLOSURE	1
34	FITG BKHD NPT-1/4 X SILVR	3
35	FITG JIC-3-M X NPT-1/8-M PIPE SEAL	2
36	FITG GOODRIDGE-600 X JIC-4-F STR	2
37	FTG NPT-1/4-FX SILVER	3
38	3/8 TUBE-CAP	1
39	3/8 TUBE X 1/4NPT	1
40	GASKET MTR ENCL	1
41	TOP COVER	1
42	FITG NPT-1/4-M PLUG	1
43	FTG RDCER NPT1/4 M X 1/8	2
44	BRAKE ENCLOSURE	1
45	SHCS 10-32 X 3/8 W/LOC	18
46	GASKET ENCLOSURE	1
47	GASKET SQUARE J-BOX	2
48	GASKET AIR FITTINGS	3
49	SHCS 5/16-18 X 1 1/4	4
50	O-RING	1
51	O-RING	1
52	O-RING	1
53	O-RING	1
54	SEAL	1
55	RETAINING RING	2
56	FITG NPT-1/4M X SILVR	1
57	FITG QUIK CONN-1/4X SILVR	1
58	BEARING NEEDLE ROLLER	1
59	EYE BOLT	1
60	SOLENOID ASSY	1

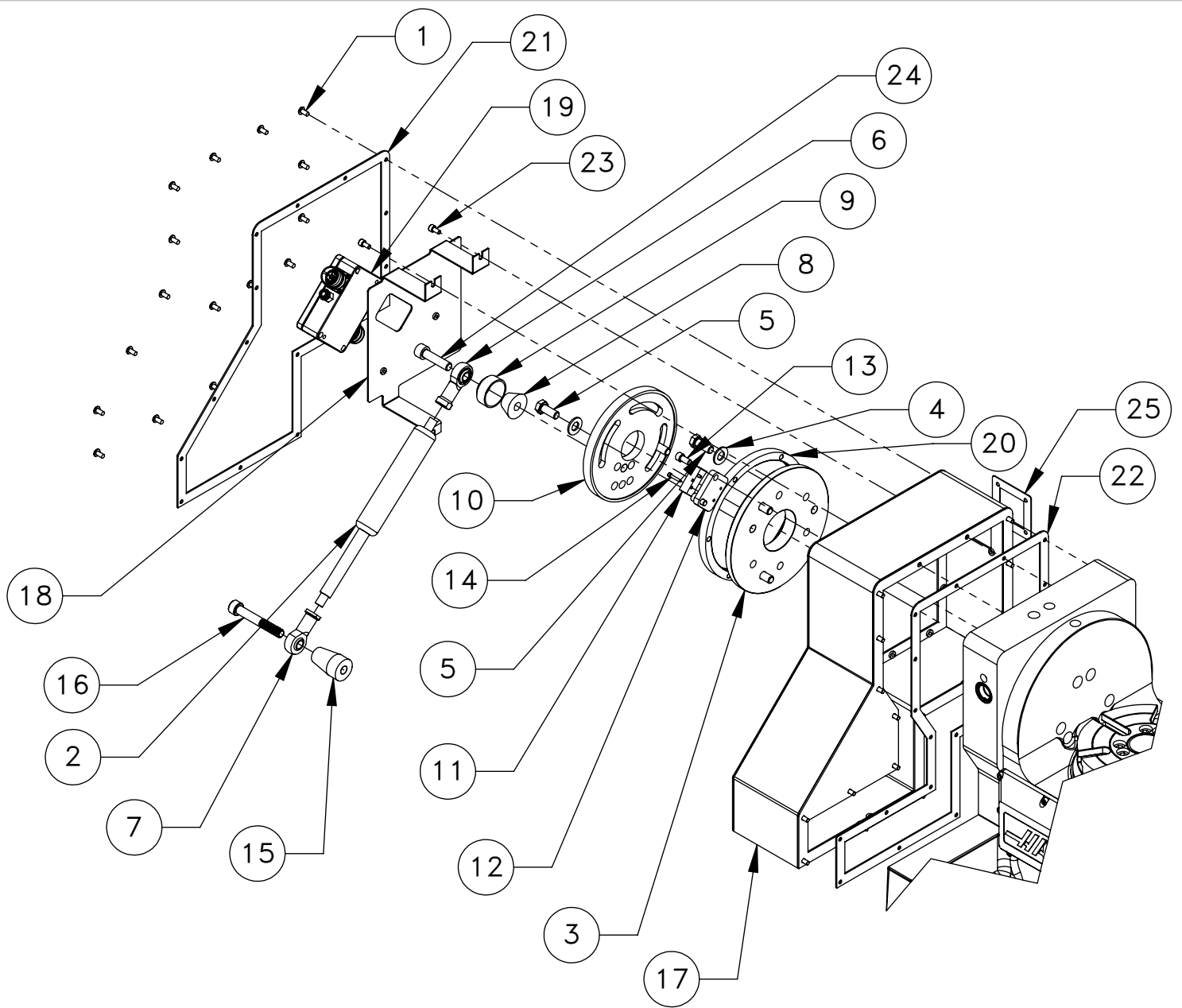
DESCRIPTION

TR160Y

EFFECTIVE DATE

MAY-2009

SAP DOC NO./VER: 1000024803/01



## ROTARY SCALE

ITEM	DESCRIPTION	QTY.
1	BHCS 10-32 X 3/8	41
2	SPRING GAS COMPRESSION	1
3	SCALE MOUNT ADAPTER	1
4	WASHER 3/8 HARD	7
5	3/8-16x7/8 HEX CAP SCREW	7
6	ROD END BALLJOINT	1
7	ROD END	1
8	STANDOFF CBALANCE TOP	1
9	ROD END BUMPER TOP	1
10	PLATE COUNTER BALANCE SCALE	1
11	READ HEAD WITH 3 METER CABLE	1
12	READ HEAD MOUNT	1
13	SHCS 1/4-20 X 1/2 ZINC PLATED	2
14	SHCS 4-40 X 5/8	2
15	STANDOFF CBALANCE BOTTOM	1
16	SHCS M10 X 70	1
17	ENCLOSURE	1
18	INTERPOLATION BOX MOUNT	1
19	ROTARY ENCODER INTERP BOX	1
20	ROTARY FLANGED RING SCALE	1
21	GASKET	1
22	GASKET	1
23	SHCS 10-32 X 3/8	36
24	SHCS, M10 X 100mm LG	1
25	GASKET SQUARE J-BOX	3

SHEET 5 OF 5

DESCRIPTION  
**TR160Y**

EFFECTIVE DATE  
**MAY-2009**

SAP DOC NO./VER: 1000024803/01