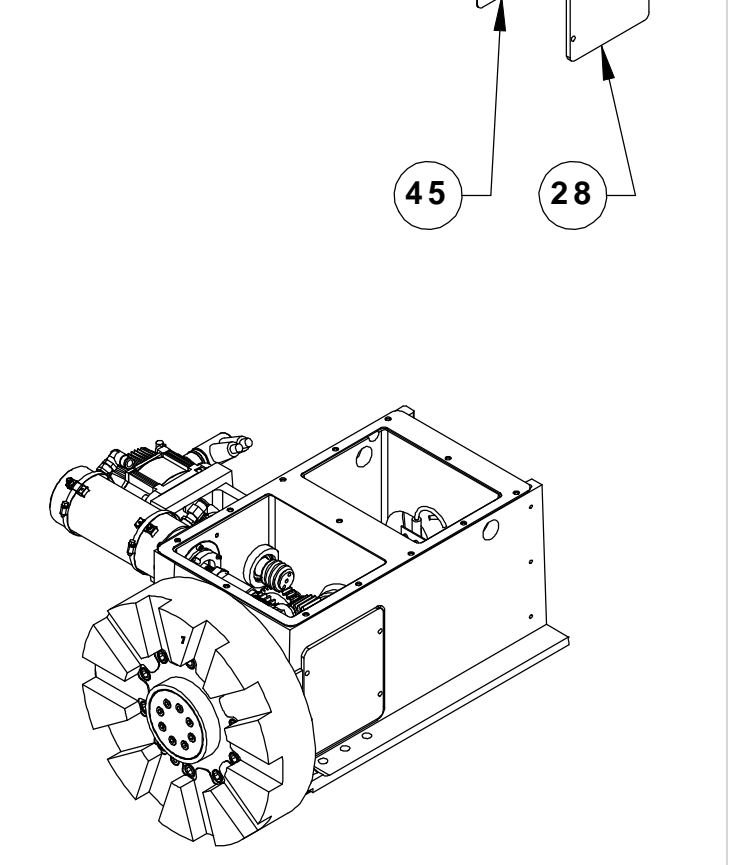


ITEM NO.	DESCRIPTION	QTY.
1	T/ C HOUSING MACHINED	1
2	HOSE CLAMP 7 1/8 - 10	2
3	O- RING 2- 172 BUNA	1
4	O- RING 2- 240 BUNA O- RING	1
5	O- RING 2- 343 BUNA	1
6	LEVER CAM T/ C LEVER CAM	1
7	SRVOMTR YASK SIGMA- 5 09 W/ O BRAKE	1
8	SHAFT TRANSFER T/ C SL- 20	1
9	GEAR CLUSTER T/ C	1
10	SPACER ANTI- ROTATE T/ C	1
11	HOUSING WORM SL20- 30T H	1
12	THRUST WASHER TRD- 4860	4
13	THRUST WASHER TRD- 4860	2
14	COUPLING ASSY BL	1
15	RETAINER TURRET T/ C SL- 20	1
16	BLANK FOR SL- 20 TURRET B	1
17	HHB 1/ 2- 20 X 1 1/ 2 GRADE 5 PLATED	1
18	HOME SW 3.5 FT NC	1
19	CLAMP SWITCH	1
20	UNCLAMP SWITCH	1
21	RTNG RING 1.500 SH TRU- ARC 5100- 150	1
22	WASHER 1 1/ 2 STEEL .075THK X2.0620	1
23	FITG NPT- 1/ 4- M PLUG LOCTITE VIBRA S	1
24	BALL 5/ 16 STEEL	1
25	HHB 5/ 16- 18 X 1	2
26	SHCS 5/ 16- 18 X 3/ 4 DOMESTIC ONLY	8
27	SHCS 3/ 8- 16 X 1.5	1
28	PLATE ACCESS	1
29	BRACKET SWITCH HOME T/ C	1
30	25- 8536 BRACKET SWITCH LIMIT T/ C	1
31	COUPLING SET 10 STATION	1
32	AIR CYLINDER ASSY SL- 10	1
33	TURRET SHAFT ASSY	1
34	SHCS 7/ 16- 14 X 1 3/ 4	10
35	SHCS 7/ 16- 14 X 1.25	10
36	CAM TURRET T/ C	1
37	DIE SPRING	4
38	RETAINER SPRINGS T/ C	1
39	SHLDR BOLT 3/ 8 X 1 1/ 2	4
40	BUSHING FRONT TURRET	1
41	SEAL 3.000 CR29841	1
42	MOUNT COUPLING TURRET 10 STATION	1
43	DOWEL PIN 5/ 16 X 3/ 4	1
44	SHCS, 3/ 8- 16 X 2 1/ 2" lg	1
45	GASKET PLATE ACCESS	1
46	GASKET COVER T/ C GASKET	1
47	COUPLING SET 12 STATION	1
48	MOUNT COUPLING TURRET 12 STATION	1
49	HALL EFFECT SENSOR	2



SHEET 1 OF 1

DESCRIPTION	EFFECTIVE DATE
SL- 20 TOOL CHANGER 10/ 12 STATION	JULY 1997
	SAP DOC NO./ VER: 1000012015/ 01