

BALLSCREW ASSEMBLY
SEE SHEET 2 FOR
DETAILS

ITEM NO.	DESCRIPTION	QTY.
1	WEDGE MACH ST20Y	1
2	SHCS 5/16-18 X 1 1/2" LG	14
3	WASHER 5/16 SPLT LOCK PLT	18
4	DOWEL PIN 3/8 X 1 1/2 PULL	2
5	SRVOMTR YASK SIGMA-5 13 W/BRAKE	1
6	LINEAR GUIDE 35 X 840 W/ CVR STRIP	1
7	PROX SENSOR MNT BRKT 1/4	1
8	SHCS 5/16-18 X 1 1/4 DOMESTIC ONLY	22
9	CAM LINEAR GUIDE	22
10	X BSCREW COVER ST20Y	1
11	X LF SIDE WIPER ST20Y	2
12	X SIDE WIPER RETNR ST20Y	2
13	Y FRNT WIPR MOUNT STY30	1
14	X TOP WIPER RETAINER STY30	1
15	Y FRNT WIPR STY30	1
16	DUAL CONDUIT HOLDER BRACKET	4
17	PROX SW NC 3 WIRE 1.5' W/CONN	1
18	STR FIT METRIC LINER GDE M6 X 1 FOR STAR	4
19	X-AXIS GREASE LUBE LINES ST30	1
20	LUBE FITG ADPT 5/16-24-F XM6X	1

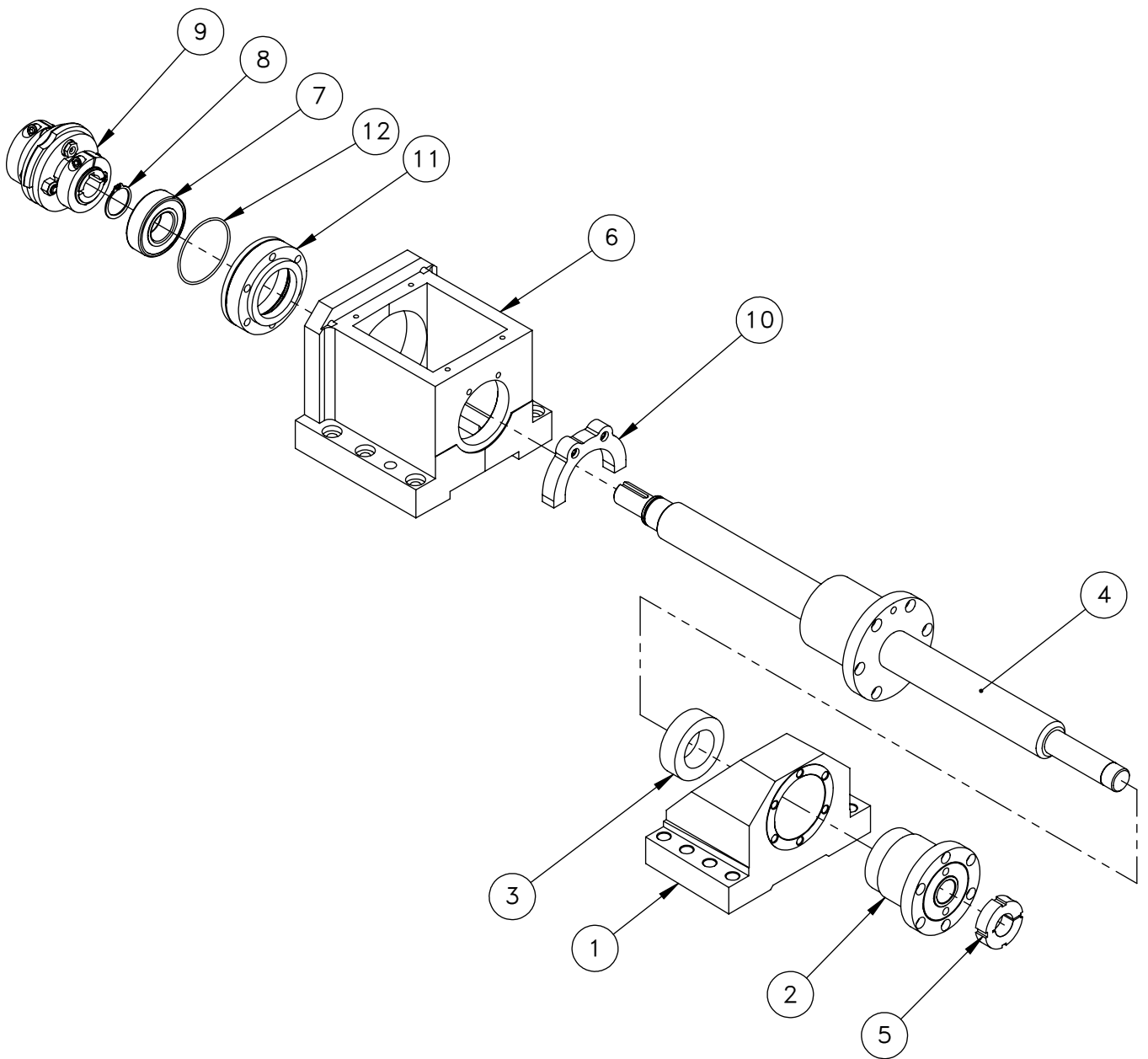
SHEET 1 OF 2

DESCRIPTION
ST-20Y WEDGE ASSEMBLY

EFFECTIVE DATE

APR-2013

SAP DOC NO./VER: 1000020730/01



ITEM NO.	DESCRIPTION	QTY.
1	SUPPORT BRNG HSNG MACH	1
2	HOUSING BEARING CARTRIDGE	1
3	BUMPER .65 32MM BALLSCREW	1
4	SPROCKET DRIVE APC	1
5	BEARING LOCKNUT TCN-04-F RULAND MFG ONLY	1
6	MACHINING MOTOR MOUNT SHORT,32MM BALSCRW	1
7	BEARING RADIAL 304PP	1
8	RTNG RING 1.000 SH TRU-ARC N5100-1	1
9	COUPLING SERVO DRIVE BL VF-1	1
10	BUMPER .500 40/50MM LEADSCREW VF-7/	1
11	ADAPTOR BRNG RACE 52MM	1
12	O-RING 2-034 VITON	1

SHEET 2 OF 2

DESCRIPTION

EFFECTIVE DATE

ST-20Y WEDGE ASSEMBLY

APR-2013

SAP DOC NO./VER: 1000020730/01