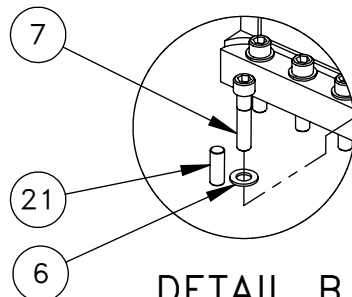
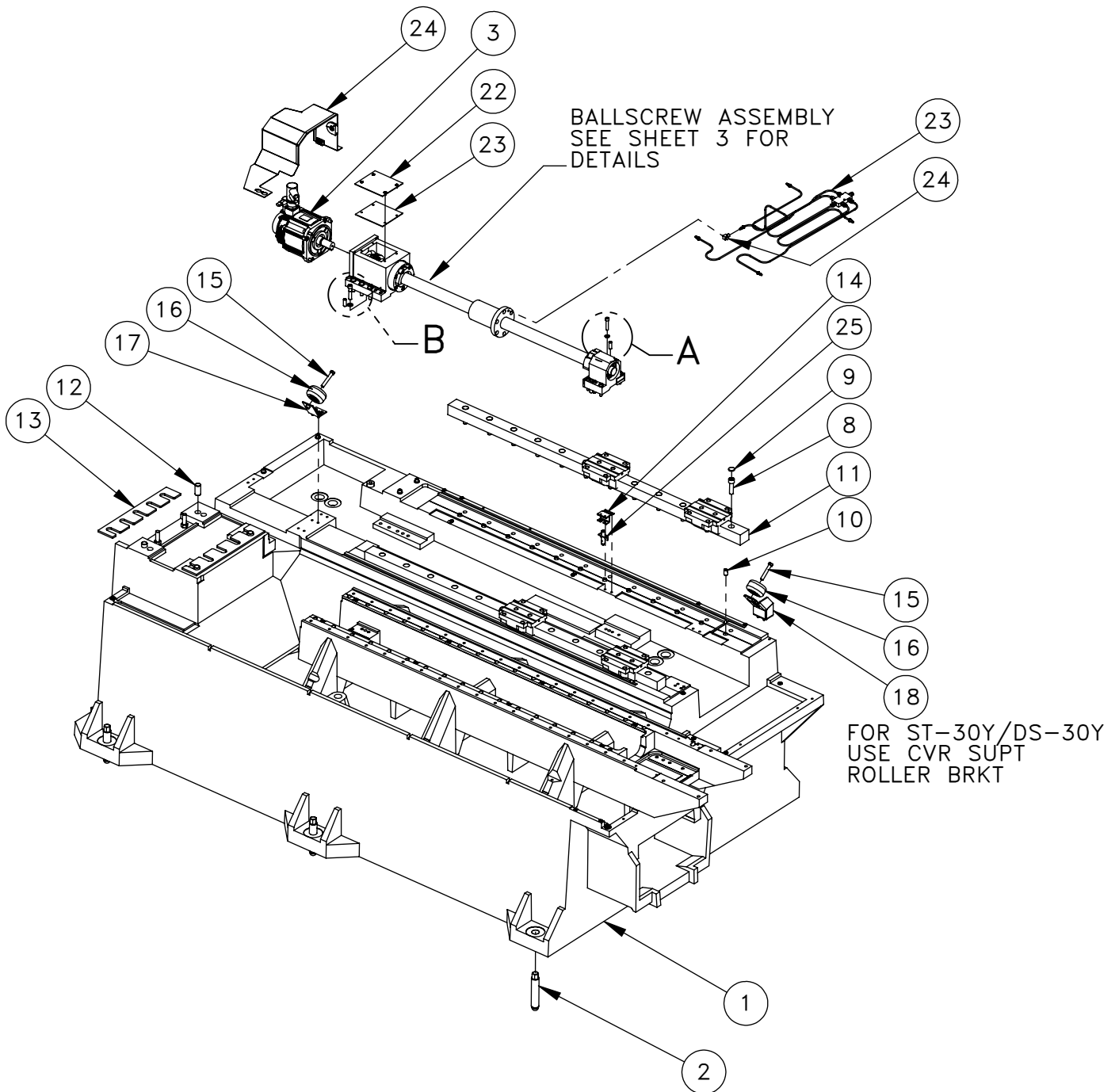


DETAIL A  
SCALE 1 : 5



DETAIL B  
SCALE 1 : 5



ITEM NO.	DESCRIPTION	QTY.
1	BASE MACHINED ST-30	1
2	SSS 1-14 X 5 ROUND PT	6
3	SRVOMTR YASK SIGMA-5 20 W/O BRAKE	1
4	WASHER 5/16 SPLT LOCK PLT	10
5	SHCS 5/16-18 X 1 1/2" LG	6
6	WASHER 3/8 SPLT LOCK PLT MED	8
7	SHCS 3/8-16 X 1 3/4 DOMESTIC ONLY	8
8	SHCS 1/2 - 13 X 1 1/3 (HAAS P/N: 40-1663)	24
9	PLUG GUID RAIL .788 OD X .118 THICK RU	24
10	CAM LINEAR GUIDE	24
11	LINEAR GUIDE, 45 X 1270	1
12	DOWEL PIN 3/4 X 1-1/2	4
13	SHIM .2290 SPINDLE HEAD SL-30-40T	2
14	PROX SENSOR MNT BRKT 1/4	1
15	HHB 3/8-16 X 2 1/4	2
16	GUIDE WHEEL Y-AXIS WAYCOVER	2
17	BRKT Z WAYCVR SUPPORT 50-200/BOX	1
18	ROLLER BRACKET Z COVER SPRT, ST-40/40L	1
19	DOWEL PIN 3/8 X 1	4
20	COVER PLT MTR MNT 50-100/BX & MX 10K/PLT	1
21	GASKET DEFLECTOR SHIELD	1
22	Z-AXIS SERVO MTR CABLE GUIDE BRKT S20	1
23	Z-AXIS GREASE LUBE LINES ST-30	1
24	LUBE FITG ADPT 5/16-24-F X M6X	1
25	PROX SW NC 3 WIRE 5.5' W/CONN	1

SHEET 1 OF 3

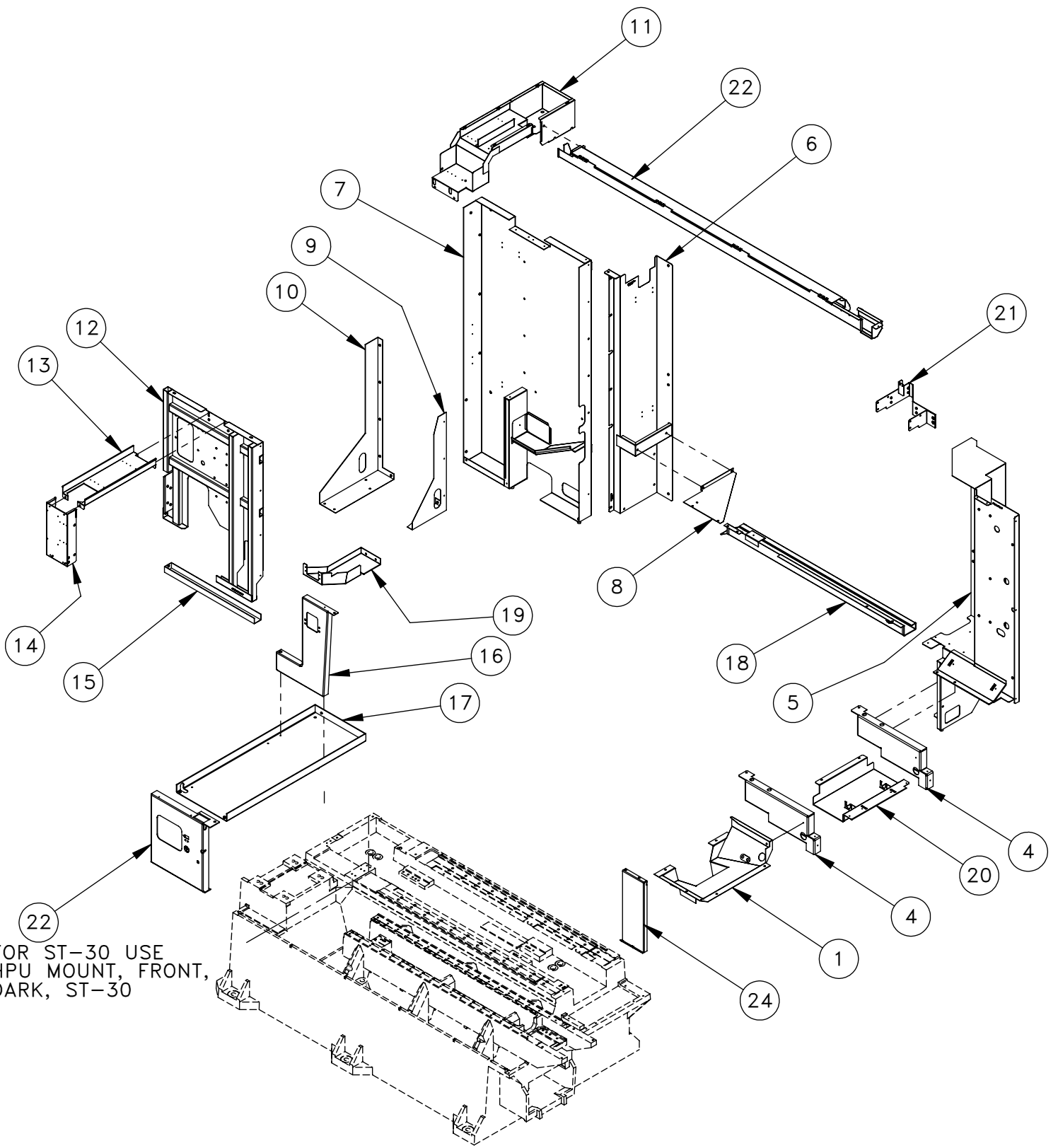
DESCRIPTION

DS/ST-30/Y/SS/SSY BASE ASSEMBLY  
AND SHEET METAL KIT

EFFECTIVE DATE

NOV-2013

SAP DOC NO./VER: 1000021302/01

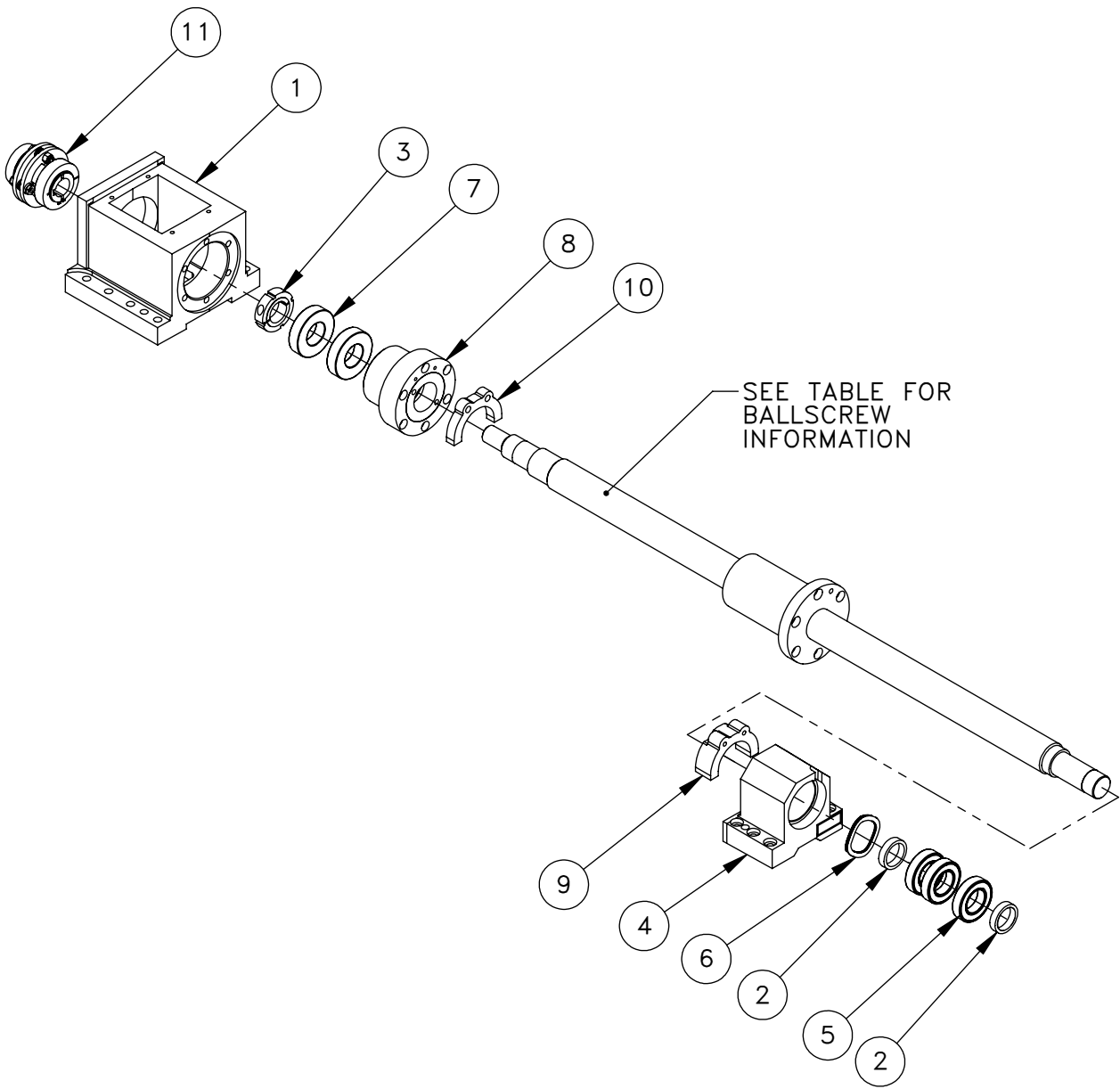


**SHEET METAL KIT**  
BASE SHOWN FOR REFERENCE ONLY

ITEM NO.	DESCRIPTION	QTY.
1	PAN TAILSTOCK ST-30	1
2	BRACE RIGHT CENTER ENCLOSURE S30	2
3	PANEL RIGHT BACK ST30	1
4	PANEL LEFT BACK SUPPORT ST30	1
5	CONTROL MOUNT ST30	1
6	REAR PANEL BRACE	1
7	RIGHT CONTROL BRACE	1
8	LEFT CONTROL BRACE	1
9	TRAY UPR SPNDL MTR CABLES ST30	1
10	SUPPORT LEFT ENCLOSURE ST30	1
11	TRAY SPNDL MTR HORZ CABLES ST30	1
12	BRACE, MOTOR CABLE TRAY, ST-20	1
13	Z AXIS DRIP TRAY ST30	1
14	BRACKET BACK HPU MOUNT ST30	1
15	HPU MOUNT BOTTOM	1
16	TRAY LOWER BACK CABLES ST30	1
17	TRAY HPU CABLE AND HOSE ST30	1
18	BRACKET TS ENC CABLE SUPPORT S30	1
19	BRACE FRONT RIGHT SKIRT ST-30	1
20	BRACKET, CBL DRAPE MNTG, ST-20 / 30	1
21	TRAY TOP BACK CABLES ST30	1
22	HPU MOUNT, FRONT, DARK, ST-30	1

SHEET 2 OF 3

DESCRIPTION	EFFECTIVE DATE
DS/ST30/Y/SS/SSY BASE ASSEMBLY AND SHEET METAL KIT	NOV-2013
	SAP DOC NO./VER: 1000021302/01



BALLSCREW CONFIGURATION

BASE ASSEMBLY	BALLSCREW DESCRIPTION	QTY
DS-30SS/ST-30SS	Z BSCREW ASSY 10MM X 26 S30	1
DS-30SSY/ST-30SSY	Z BSCREW ASSY 30SSY	1
DS-30/ST-30	Z BSCREW ASSY 8MM X 26 S30	1
DS-30Y/ST-30Y	Z BSCREW ASSY 8MM X 26 S30Y	1

ITEM NO.	DESCRIPTION	QTY.
1	MCHNG MTR MOUNT, 40 & 50 MM BS	1
2	SPACER TORQUE LIMIT BALLSCREW VF-6	2
3	BEARING LOCK NUT TCN-06-F	2
4	BRNG HSNB 40/50MM BS MACHVF-6-10	1
5	BEARING DEEP GROOVE	3
6	WASHER WAVE DISC SPRING MCMSTR #971K73	6
7	BEARING ANG CONTACT 30X62X15MM 60-6	2
8	BEARING HOUSING 40MM BALLSCREW	1
9	BUMPER 1 40/50MM LEADSCRW	1
10	BUMPER .500 40/50MM LEADSCRW VF-7	1
11	COUPLING 24MM BORE	1

SHEET 3 OF 3

DESCRIPTION  
 DS/ST30/Y/SS/SSY BASE ASSEMBLY  
 AND SHEET METAL KIT

EFFECTIVE DATE  
 NOV-2013

SAP DOC NO./VER: 10000021302/01