



Hydraulic Counterbalance - Pressure Check

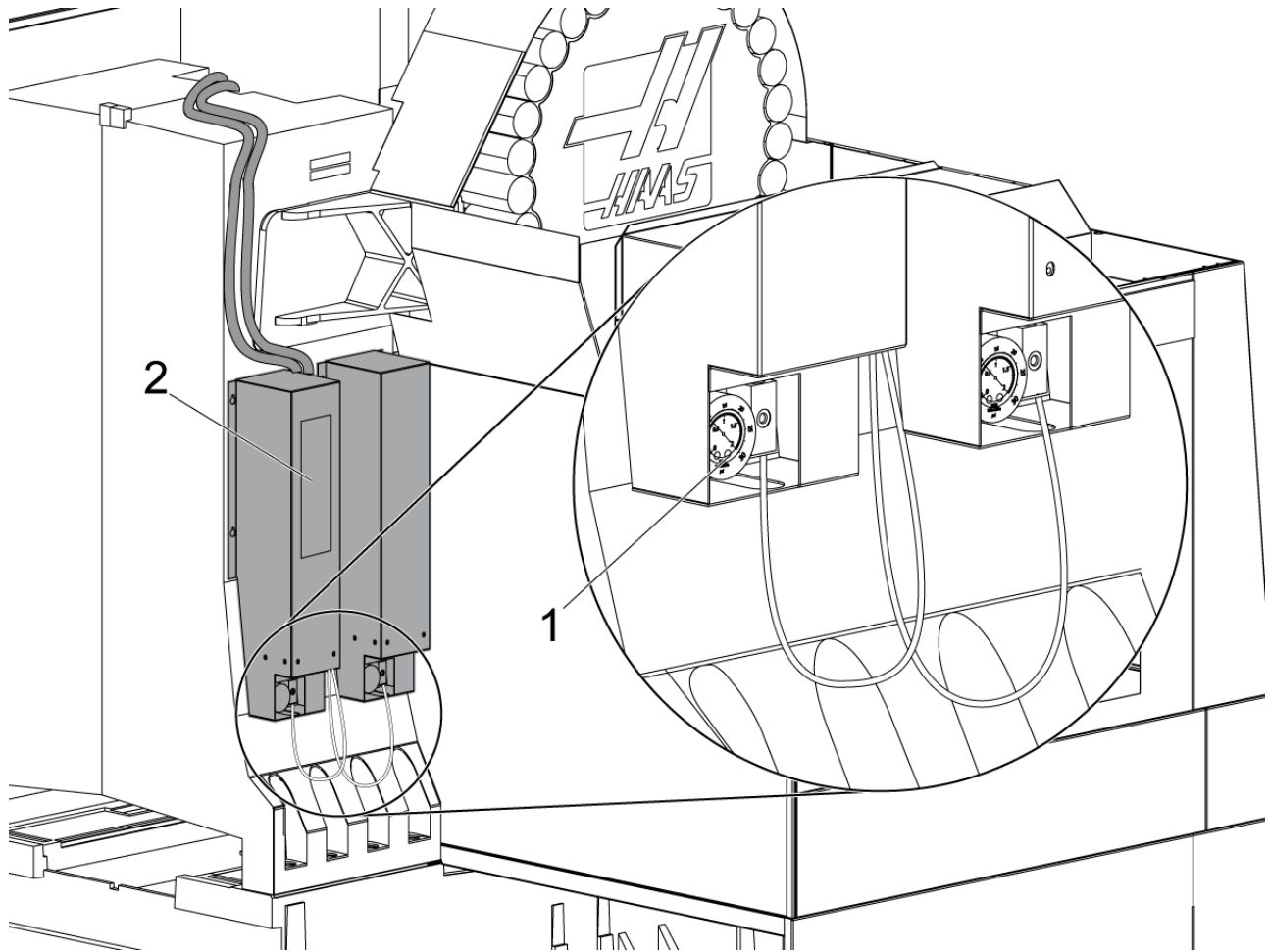
Scan code to get the latest version of this document



Translation Available

Mill - Hydraulic Counterbalance - Pressure Check

Do this procedure if you have **Alarm 107 EMERGENCY STOP** or **Alarm 820 COUNTER-BALANCE FAILURE** alarms. These alarms can occur when the counterbalance system has a leak.



For vertical mills, **[HANDLE JOG]** the Z Axis to the top of travel.

For horizontal mills, **[HANDLE JOG]** the Y Axis to the top of travel.

Find the pressure gauges [1] on the hydraulic counterbalance tanks.

Make sure the pressure is the same as the pressure on the decal [2] on the mount for the hydraulic fluid tank. Refer to the table in the next section for the correct pressure.

Counterbalance Pressure Chart

This chart shows the correct pressures for the counterbalance tank. Measure the pressure at the top of Z-Axis travel for VMCs and at the top of Y-Axis travel for HMCs. Pressure that is 50 psi (3 bar) higher than the value in the chart is permitted. But pressure that is lower than the value in the chart is not permitted.

Model	Made After	Pressure		Made After	Pressure		Made After	Pressure	
		PSI	BAR		PSI	BAR		PSI	BAR
-	-	PSI	BAR	-	PSI	BAR	-	PSI	BAR
EC-1600/2000/3000	3/15/2004	1000	70	9/13/2004	550	38	6/14/2005	800	55
EC-630	3/21/2006	800	55	-	-	-	-	-	-
HS-1	10/30/1997	600	51	-	-	-	-	-	-
HS-3/4/7	6/5/1998	1150	79	6/18/1999	1200	83	2/29/2000	1250	86
VB-1	6/5/1998	1550	107	-	-	-	-	-	-
VF-3/4 (VCE 1000/1250)	4/28/1995	1150	79	-	-	-	-	-	-
VF-5 XRT	10/8/2004	750	52	-	-	-	-	-	-
VF-5, VM-3, VF-3YT (VCE 1300)	7/21/1998	950	66	10/14/1998	875	60	-	-	-
VF-5/50, VF-3YT/50 (VCE 1300)	7/21/1998	1100	76	-	-	-	-	-	-
VF-6/7/10/12 - 50 (VCE 1600, 2000, 3000)	10/30/1997	1150	79	-	-	-	-	-	-
VF-6/7/10/12 (VCE 1600, 2000, 3000)	10/30/1997	750	52	-	-	-	-	-	-
VF-8/9/11 - 50 (VCE 1600, 2000, 3000)	7/21/1998	1550	107	-	-	-	-	-	-
VF-8/9/11 (VCE 1600W, 2000W, 3000W)	10/30/1997	750	52	-	-	-	-	-	-
VF-O/OE/EXT/1/2 (VCE 475/500/550/700/750)	4/28/1995	750	52	-	-	-	-	-	-
VR-8/9/11	10/30/1997	1800	124	7/21/1998	1100	76	10/14/1998	1025	71
VS-1/2/3	2/29/2000	1250	86	-	-	-	-	-	-
VTC	5/4/2002	1150	79	-	-	-	-	-	-